

# SH605AX

## Call, alert or comfort button

Anthracite



**Twin Band**  
TRANSMISSIONS  
RADIO BI-BANDES



Up to 6 years\*

**5 ans**  
garantie



## Benefits

### 24-hour personal protection

The button can be used to activate all deterrent and warning devices at any time, with the system on or off.

The alert can be transmitted :

- To the Atral Services remote monitoring center (Apsad P3 Maillé), for a 24/24 operator to remove any doubt, either by video, or by callback (defined in advance according to the type of alert). In the event of confirmation, they are empowered to apply instructions (call the police and fire department).
- To the Daitem Secure Application (real-time notifications)
- To your contacts, by SMS or telephone transmission.

### Integrated dual functions

Simply press the push-button on the front panel to activate "alert" commands (silent alert, alert, fire alert, etc.) or "comfort" commands (doorbell, buzzer, lighting and gate control).

## Functions

### Call button associated with a receiver, used to control any electrical device:

- Lighting (On/Off or timer mode)
- Gate operator (Pulse mode 90s to 60 min)

### Call button associated with the control unit, to activate :

- An alert with all sirens at full power and transmission (assault, homejacking...)
- A silent alert that does not trigger the sirens, only the transmission (Hold-up in stores, jewelry stores and banks...)
- Doorbell function (hotels, entrance gates...)
- An audible call (assistance or service call...)
- Fire alarm with siren activation at fire tone and transmission

### The ideal safety complement

By combining our surveillance cameras with your alarm system, you can carry out a video verification at any time using the Daitem secure application.

### Protection against sabotage

Maximum security thanks to self-protection against break-out and opening, triggering the alarm system in the event of sabotage.

### Successful integration into your home

With its elegant, modern design, the call or comfort button is designed to blend easily into your home.

### Easy to install

Simple installation, you can screw the button in place (under a table or desk) or attach it with the included double-sided adhesive tape (near the front door, to facilitate gate opening). Functions can be set from the control panel keypad.

### Test button and indicator light on front panel, for :

- Carry out training with the control unit,
- Test radio link with control unit, test power supply status,
- Check detector operation at any time.

### Self-monitoring of power supply and radio link status

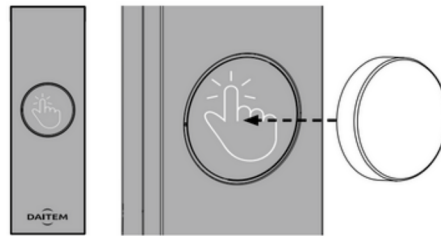
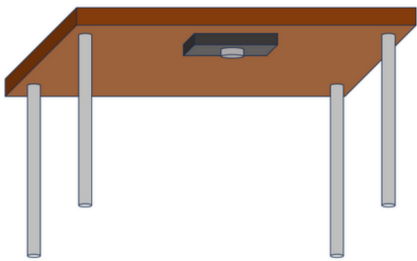
**Autonomy of up to 6 years** under normal conditions of use.

## Technical specifications

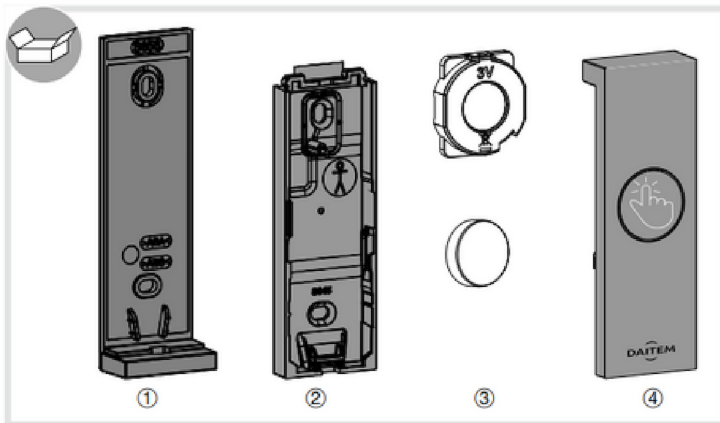
TwinBand radio transmitter  
 1 two-tone red/orange LED and 1 power and function test button  
 Factory-programmed for silent alarm  
 Reprogramming possible from control panel keypad  
 Protection class: IP 31 / IK 04  
 Powered by supplied BatLi40 lithium battery (3 V - 620 mAh)

Detector dimensions W.85 x H.28 x D.13  
 Detector mounting incl. screws or double-sided adhesive tape (countersunk head diam. 3mm)  
 Self-adhesive button accessory supplied with product  
 Operating temperature - 10 °C to + 55 °C  
 Indoor use

## Description



The accessory makes it easier to locate the button when the product is mounted under a desk.



1	Subbase
2	Base
3	Lithium battery Batli40
4	Front panel

## Recommendations

- The button is not a medical teleassistance device, it can only be used to trigger a number of alerts. Regardless of how it is set up, it cannot guarantee the intervention of a third party or the activation of emergency services.

- It is the responsibility of the user of the button who wishes to call upon the services of a remote monitoring company, to check with that company about the services offered, and in particular the presence or absence of a medical platform.